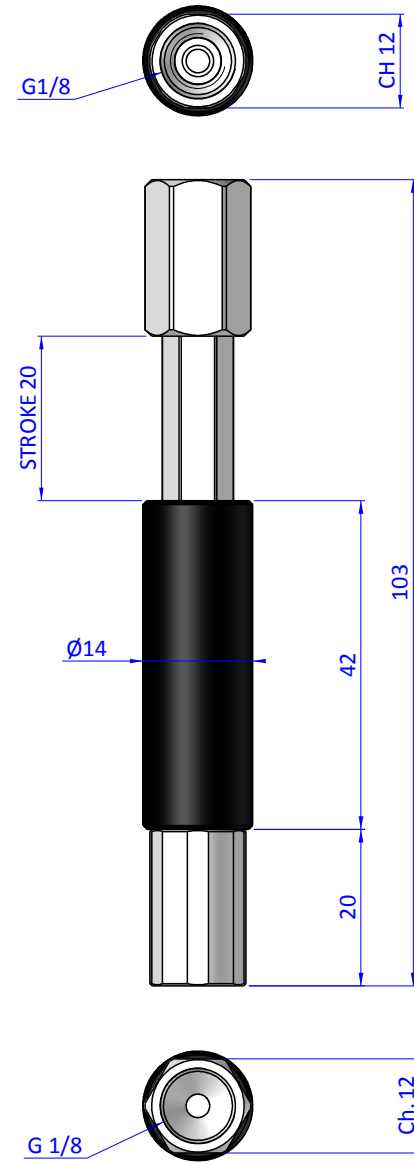
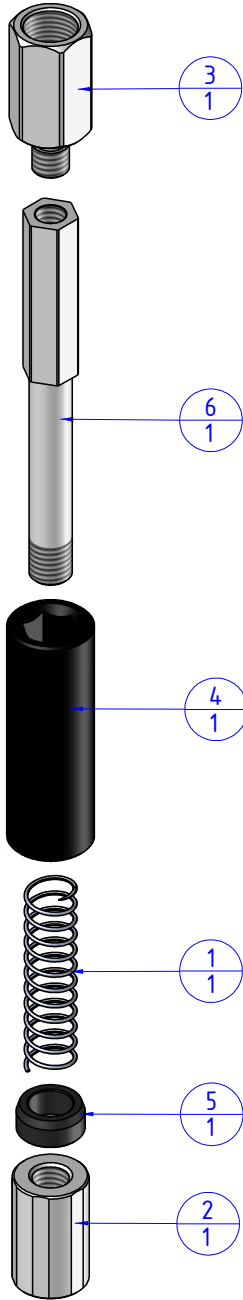


THE PROPERTY OF THE DRAWING IS ESTABLISHED BY LAW. IT IS FORBIDDEN TO PRODUCE OR SHOW IT TO THIRD PARTY WITHOUT A WRITTEN AGREEMENT.

Item	Name	Q.ty
1	M.8.45X34	1
2	VSN.14.1	1
3	VSN.14.2	1
4	VSN.1420.2.1	1
5	VSN.1420.3	1
6	VSN.1420.4	1



Format A3

UNI 936-76

		DESIGNED FROM		REVIEW
		FPSERVICES		A
GENERAL TOLERANCE		DATE	WEIGHT	
UNI - ISO 2768		11/02/2019	0,025kg	
CLASSE f		CODE		
		CA.SDN.1420		CA.SDN.1420